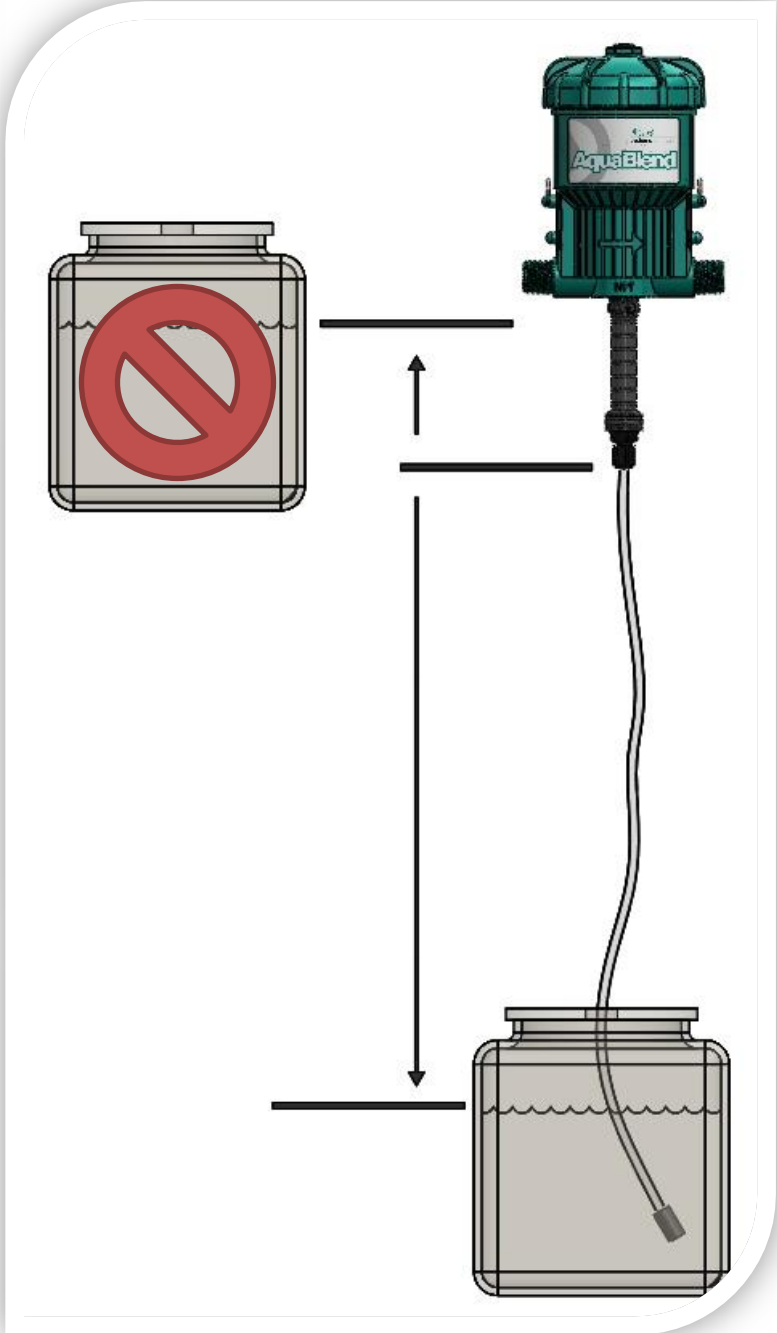


**AquaBlend Fixed Quick Start Guide**

**0.04 – 11 gpm 5 – 90 psi**

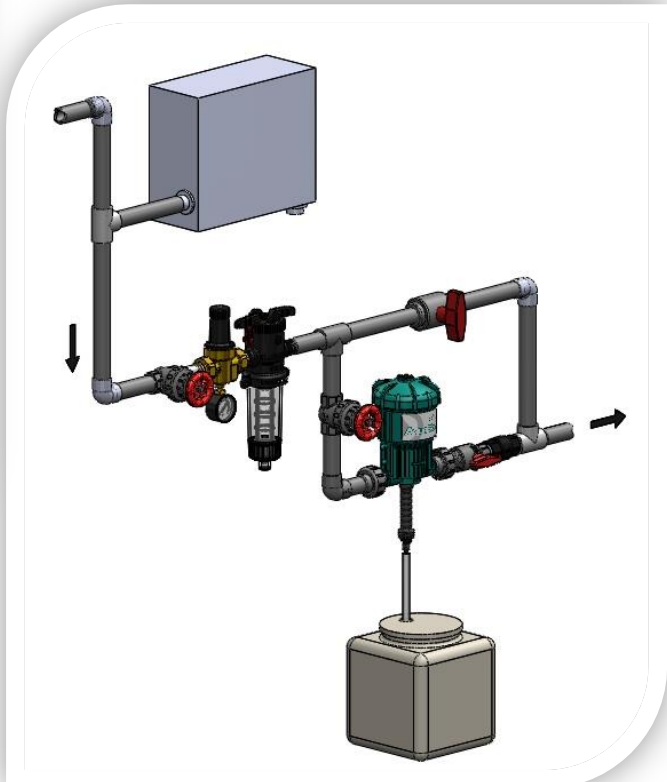
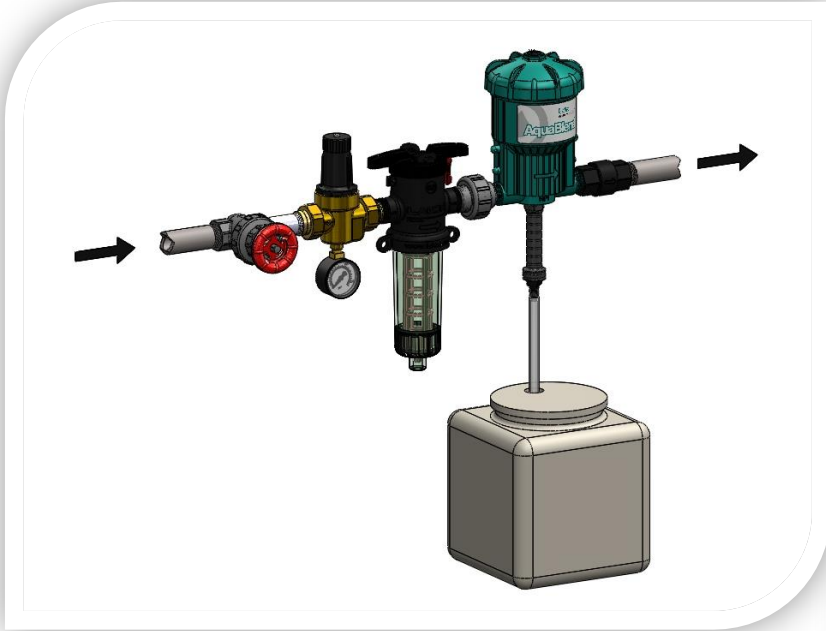
**10 – 2500 l/h 0,4 – 6,2 bar**



**AquaBlend Fixed Quick Start Guide**

**0.04 – 11 gpm 5 – 90 psi**

**10 – 2500 l/h 0,4 – 6,2 bar**



## AquaBlend Fixed Quick Start Guide

0.04 – 11 gpm 5 – 90 psi

10 – 2500 l/h 0,4 – 6,2 bar

World Headquarters  
Hydro Systems Company  
3798 Round Bottom Road  
Cincinnati  
OH 45244  
U.S.A.  
T 513-271-8800  
F 513-271-0160

[www.hydrosystemsco.com](http://www.hydrosystemsco.com)

Hydro Systems Europe  
Unit 3, The Sterling Centre  
Eastern Road  
Bracknell, Berkshire  
RG12 2PW  
England  
T +44 (0)1344 488880  
F +44 (0)1344 488879  
[www.hydrossystemseurope.com](http://www.hydrossystemseurope.com)

Hydro Systems Europe  
13bis avenue Descartes  
C33370 Artigues-pres-  
Bordeaux  
France  
T +33 557 97 13 13  
F +33 577 97 10 19

Hydro Systems South  
America  
Rua Mogiana, 172  
Chácaras Reunidas  
São José Dos Campos  
12238-420SP  
Brasil  
T +55 12 3201 7707  
[www.hydronovabrasil.com](http://www.hydronovabrasil.com)

Hydro Systems Asia  
Pacific  
Unit A, 1 Kellham Place  
Glendenning  
NSW 2761  
Australia  
T +612 9625 8122  
F +612 9625 8177

Hydro Systems Asia Pacific  
Unit 01, 18th Floor  
Lujiazui Fund Tower,  
1528 Century Avenue,  
Pudong New Area,  
Shanghai 200122 P.R. China  
T +86 21 400-600-4026

Dover Southeast Asia  
(Thailand) 762/2, A  
Building,  
Room A540, Rama 3  
Road,  
Bang Pong Pang,  
Yannawa,  
Bangkok 10120, Thailand  
T +66 2 295 2788  
F +66 2 295 2785